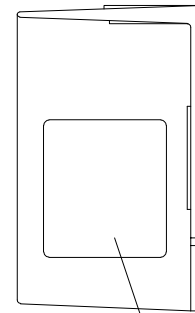
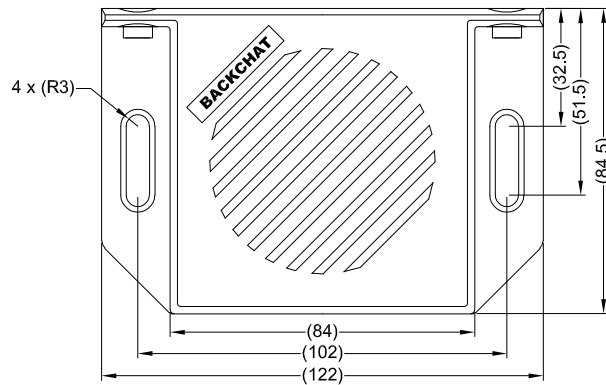
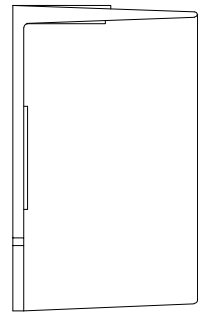
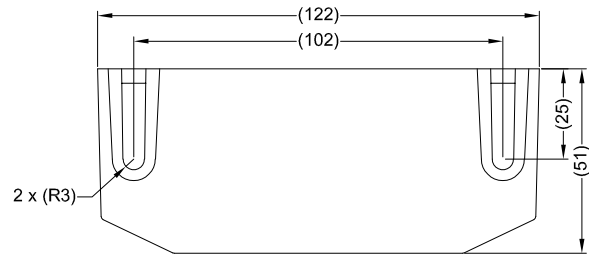
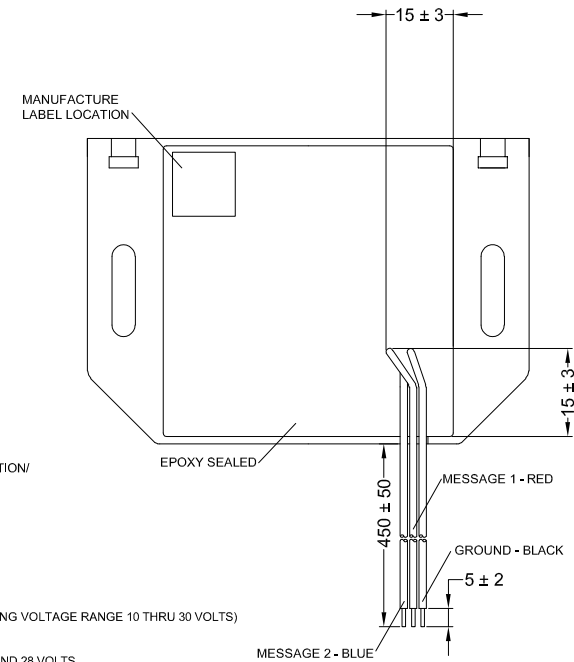


Revision Notes.				
R1 -				
APA: -	Drawn:-	Checked:-	Approved:-	Date: --/--/----



PRODUCT LABEL LOCATION/  
SERIAL NUMBER



**SPECIFICATION**

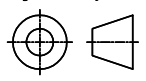
RATED VOLTAGE: 12 AND 24 VOLTS DIRECT CURRENT (WORKING VOLTAGE RANGE 10 THRU 30 VOLTS)  
 RATED CURRENT: 0.5 AMPERES OR LESS  
 SOUND PRESSURE: 90±4 DECIBELS AT TEST VOLTAGE OF 14 AND 28 VOLTS  
 CABLE THICKNESS: ALL CABLES 24/0.2MM  
 MESSAGE(S): 1. "BESPOKE CUSTOM MESSAGE"  
 2. "BESPOKE CUSTOM MESSAGE"  
 MESSAGE LIBRARY NUMBER(S): 1. ASSIGNED AFTER CONFIRMATION  
 2. ASSIGNED AFTER CONFIRMATION  
 VOICE/ACCENT: DEPENDENT ON CUSTOM MESSAGE  
 LANGUAGE: DEPENDENT ON CUSTOM MESSAGE

**NOTES:**

1. MATERIAL: ABS PLASTIC - ULTRA VIOLET STABILIZED
2. FOR PACKAGING AND LABELING DETAIL REFER TO LATEST VERSION OF MASTER BOM.
3. 2 X M6 X25 BOLTS, 2 X M6 FLAT WASHER & 2 X M6 NUTS ARE SUPPLIED IN A PRESS SEAL BAG IN THE BOX.
4. POWER & MESSAGE CABLE LENGTHS ARE MEASURED FROM CABLE ENTRY POINT ON HOUSING.

**PROPRIETARY NOTICE**

THIS DESIGN AND TECHNICAL INFORMATION APPEARING ON THIS DRAWING IS THE PROPERTY OF BRIGADE ELECTRONICS, AND IS DISCLOSED IN CONFIDENCE. IT IS NOT TO BE COPIED, REPRODUCED, REVEALED TO OR EXPROPRIATED BY OTHERS, EITHER IN WHOLE OR IN PART WITHOUT THE EXPRESS WRITTEN CONSENT OF BRIGADE ELECTRONICS.

Assembly Pl Approval A.HEDDLE	Approved by B.JOHN	Checked by W.SINDEN	Released 16/09/19	Drawn by J.STEWART	Assembly Ref -
Angle of Projection 	Units mm	Scale N/A	Status RELEASED		
Third Angle	Part No 0083A	BC-02(B) BE-004175-00-19			

**BRIGADE**<sup>®</sup>  
www.brigade-electronics.com